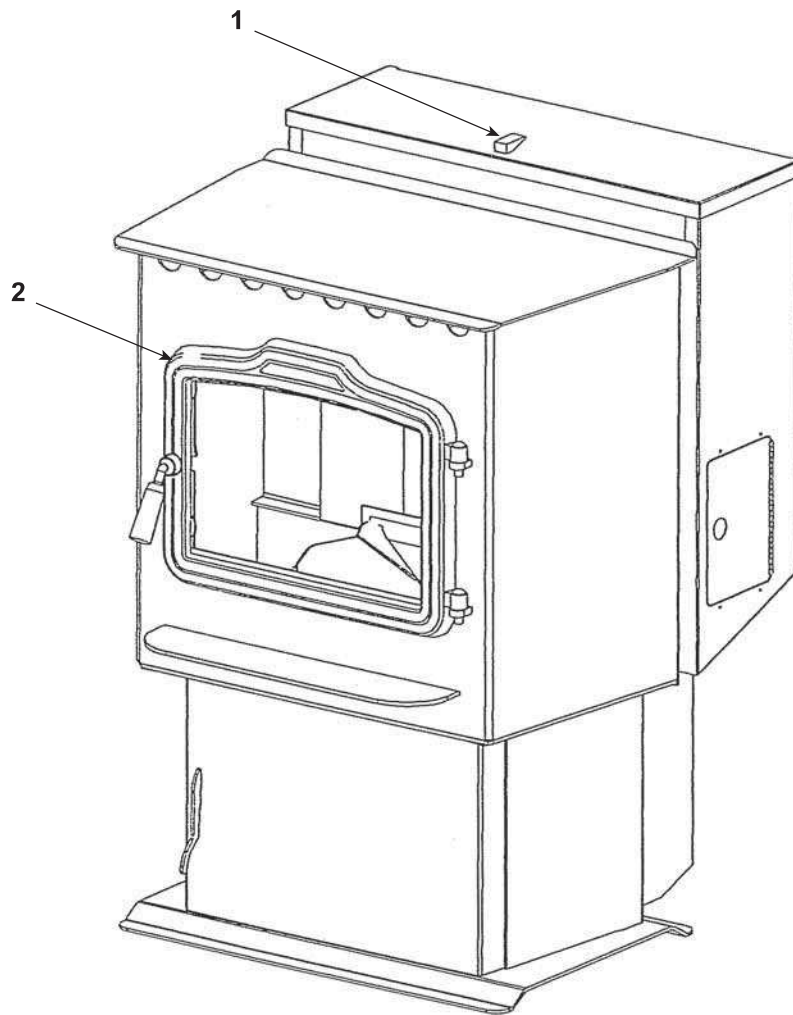


1-70-05820-1



Part number list on following page.

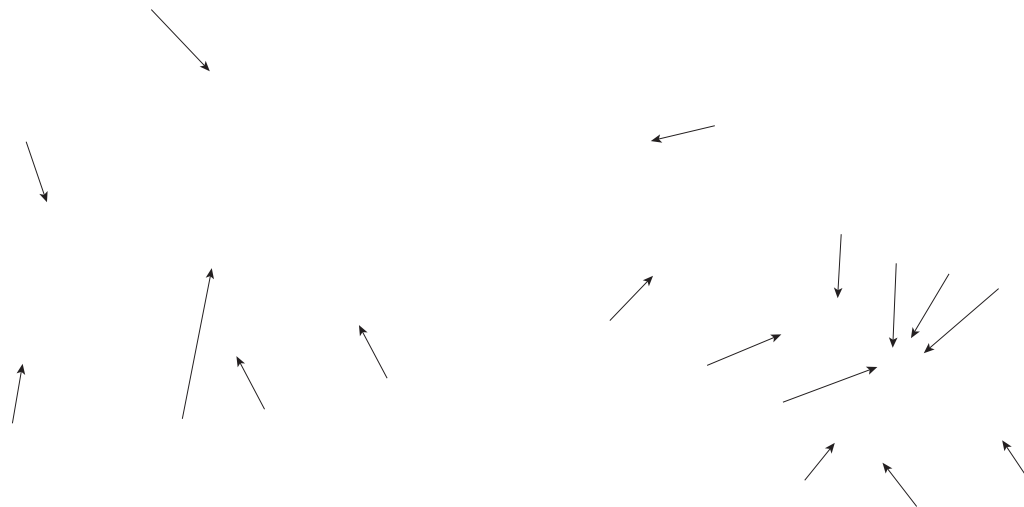


IMPORTANT: THIS IS DATED INFORMATION. When requesting service or replacement parts for your appliance please provide model number and serial number. All parts listed in this manual may be ordered from an authorized dealer.

Stocked at Depot

ITEM	DESCRIPTION	COMMENTS	PART NUMBER	
1	Swell Latch and Spacer		1-00-199110	Y
	Spacer	Pkg of 10	3-31-901311-10	
2	Door Kit Assembly	Black Classic	1-00-08520-1	
	Glass rect 9-1/2 X 13-15/16		3-40-950133125	Y

#3 Feeder Assembly



3.1	Slide Plate		1-10-08656	
3.2	Cover Assembly		1-10-00894	
3.3	5/16-18 Zinc Plated Cold Forged Wing Nut	Pkg of 25	3-30-8012-25	Y
3.4	Pillow Block Bearing	Pkg of 4	3-31-3614087-4	Y
3.5	1/4-20 x 1/2" Grade 8.2 Zinc SAE Flange Bolt	Pkg of 50	3-30-2001-50	Y
3.6	Pusher Arm Weldment	No longer available	1-10-08657	
3.7	Auger Assembly		3-50-00465	Y
3.8	5/16-18 x 1 1/4" Grade 5 Zinc Plated Hex Cap Screw	Pkg of 50	3-30-1129-50	Y
3.9	1/4-20 x 3/4 Grade 8 Yellow Zinc Hex Head Cap Screw	Pkg of 50	3-30-1113-50	Y
3.10	Rubber Grommet	Pkg of 12	3-31-2761-12	
3.11	Motor Mount	Pkg of 2	1-00-01534	Y
3.12	Gear Motor		3-20-08653	Y
3.13	Cam Bearing Bolt	Pkg of 25	3-30-1128-25	Y
3.14	Cam Bearing		3-31-3014	Y
3.15	Cam Block		3-00-00153	Y
3.16	Bearing Retainer	Pkg of 2	1-00-04035	Y
3.17	Auger Mounting 5/16" T Nut	Pkg of 40	3-31-23756-40	

Additional Service Parts on following page.

