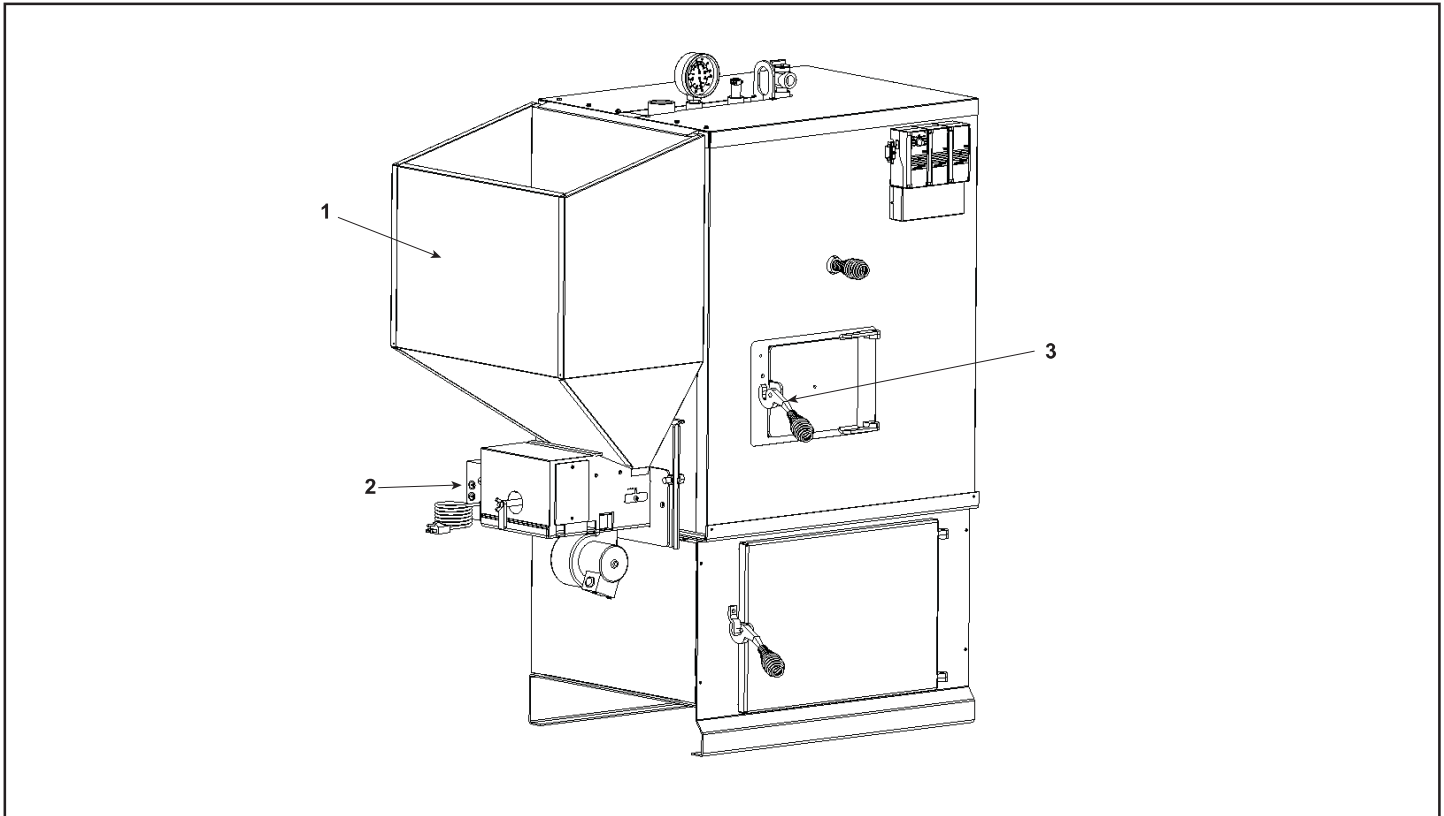


1-70-03241



IMPORTANT: THIS IS DATED INFORMATION. Parts must be ordered from a dealer or distributor. **Hearth and Home Technologies does not sell directly to consumers.** Provide model number and serial number when requesting service parts from your dealer or distributor.

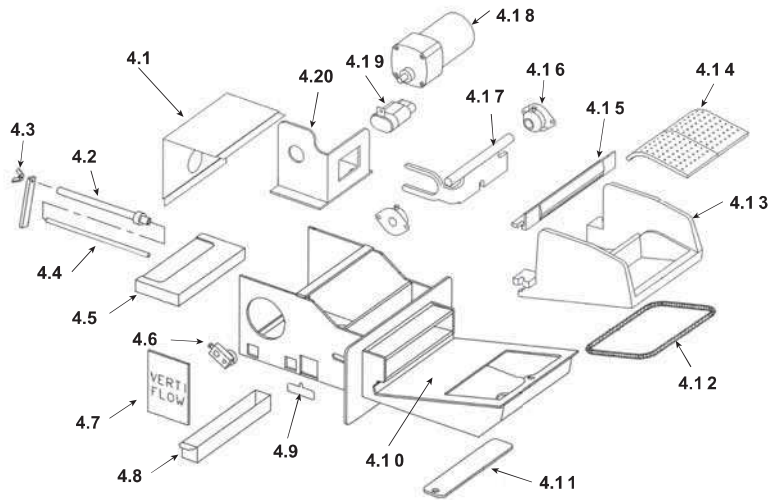


Stocked at Depot

ITEM	DESCRIPTION	COMMENTS	PART NUMBER	
1	Hopper assembly		1-00-4677373	
2	Timer control box		3-20-44322	Y
	Fuse holder - (timer control box)		3-20-00900	Y
3	Door handle	Qty 2 req	4-00-00042	Y
	Spring handle - brass plate 1/2"	Pkg of 3	3-40-00086-3-3	
	Door Latch	4 Sets	1-00-00036	Y
	Aquastat replacement for White Rodgers		1-00-03500	Y
	Controller a350aa-2c		3-10-1350112	Y
	Power supply y350r-1c		3-10-935071	Y
	Sensor/a350 control appbc-25c (aquastat well sensor)		3-10-2992225	Y
	Aquastat Terminal Block		1-10-03501A	
	Stage module s350aa-1c		3-10-7350111	Y
	Aquastat Well		3-10-935111	Y
	Ash Chamber Baffle		1-00-00242	
	Ash Door Assembly		1-10-08763A	
	Ash pan (galvanized tub - 12 gallon/#1) (available locally)		3-41-01882	

Additional service part numbers appear on following page.

### #4 Feeder Assembly



IMPORTANT: THIS IS DATED INFORMATION. Parts must be ordered from a dealer or distributor. **Hearth and Home Technologies does not sell directly to consumers.** Provide model number and serial number when requesting service parts from your dealer or distributor.



**Stocked  
at Depot**

ITEM	DESCRIPTION	COMMENTS	PART NUMBER	
4.1	Feeder Motor Cover		2-00-00052P	
	Pusher Block Assembly (w/Tube & Threaded Rod)		1-10-00099	Y
4.2	Pusher Block Adjuster Tube		1-10-00050P	
4.3	5/16-18 Zinc Plated Cold Forged Wing Nut	Pkg of 25	3-30-8012-25	Y
4.4	Pusher Block Adjuster Rod	Pkg of 2	2-00-08011-2	Y
4.5	Pusher Block		3-50-00026	Y
4.6	Cam Block Assembly		1-10-00102A	Y
	Feeder cam block		3-50-00054	Y
	Feeder cam Bearing		3-31-3014	Y
4.7	Cam Arm cover		2-00-00053P	Y
4.8	Fines Tray		2-00-00055	Y
4.9	Feed Indicator Hardware		1-00-00056	Y
4.10	Feeder Body Weldment		1-10-00687	Y
4.11	Clean-Out Slide		2-00-00048P	Y
4.12	Gasket, 3/8" round White LD (Grate Holder)	5 Ft	1-00-43375	Y
4.13	Grate Holder Assembly		1-10-01000	Y
4.14	Grate Inserts	Qty 2 req	4-00-00046D	Y
4.15	Grate Angle - Cast		3-00-00218	Y
4.16	Pillow Block - 3/4" Flange		3-31-324122	Y
4.17	Pusher Arm Weldment		1-10-00025	Y
4.18	Gearmotor - 1/80 HP-4.5 RPM		3-20-60075	Y
4.19	Capacitor 370 Vac Motor Run		3-20-69654	Y
	Capacitor Holder Kit		3-20-36533	
4.20	Feed Motor Mount		1-10-00031P	
	Gasket 1" White w/Adhesive (Feeder to Body Gasket)	10 FT	1-00-88100	Y

Additional service part numbers appear on following page.

